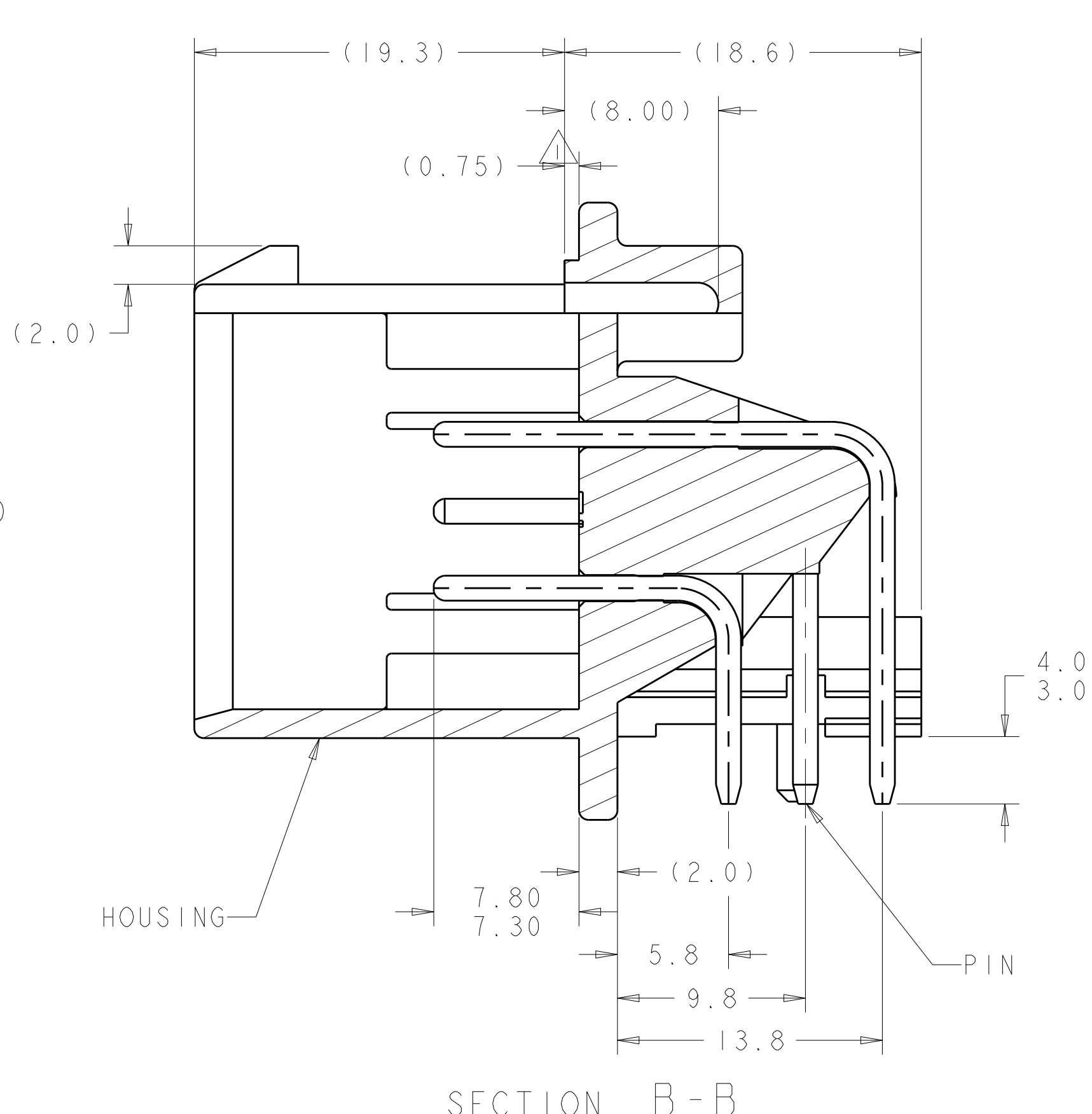
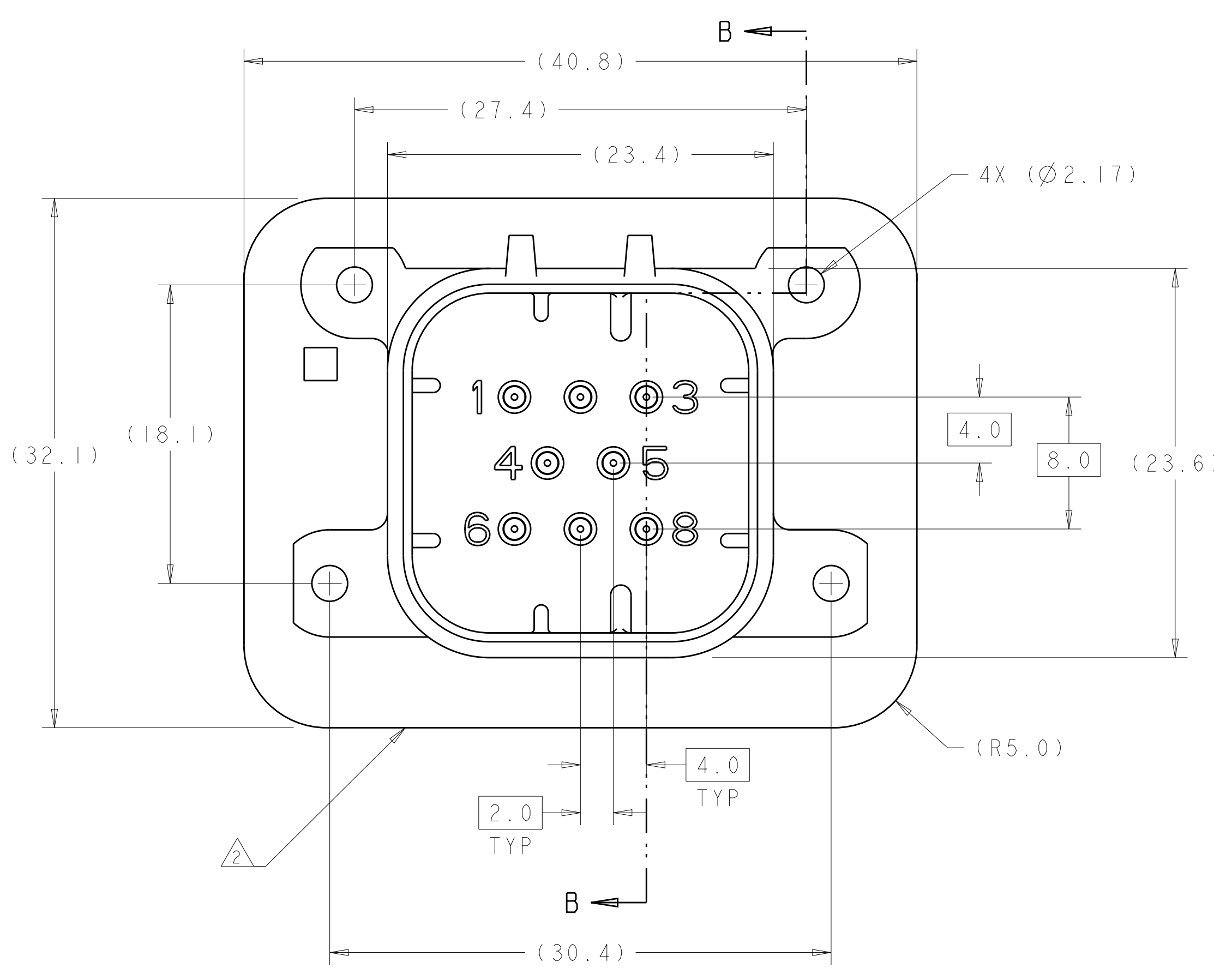
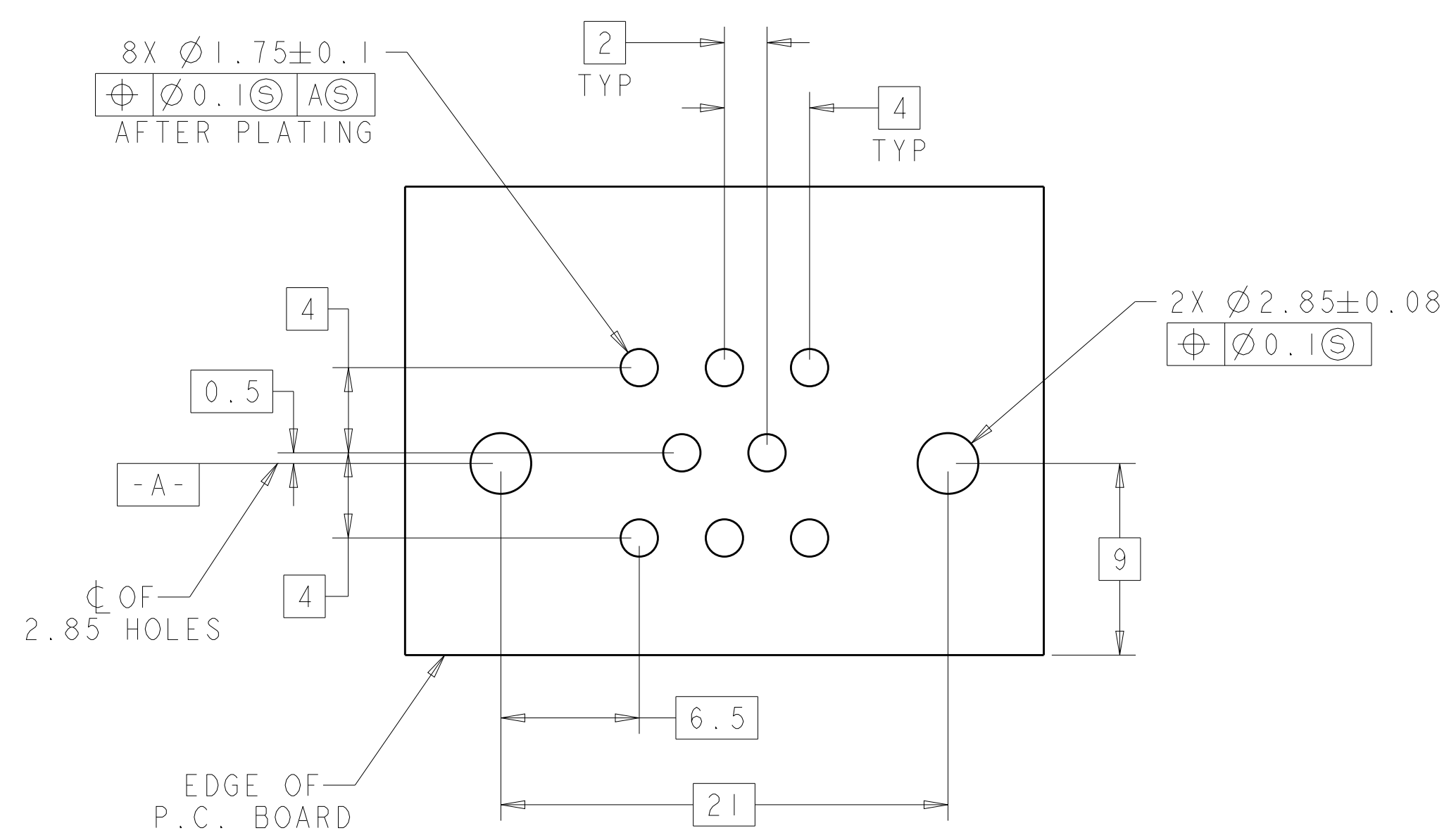
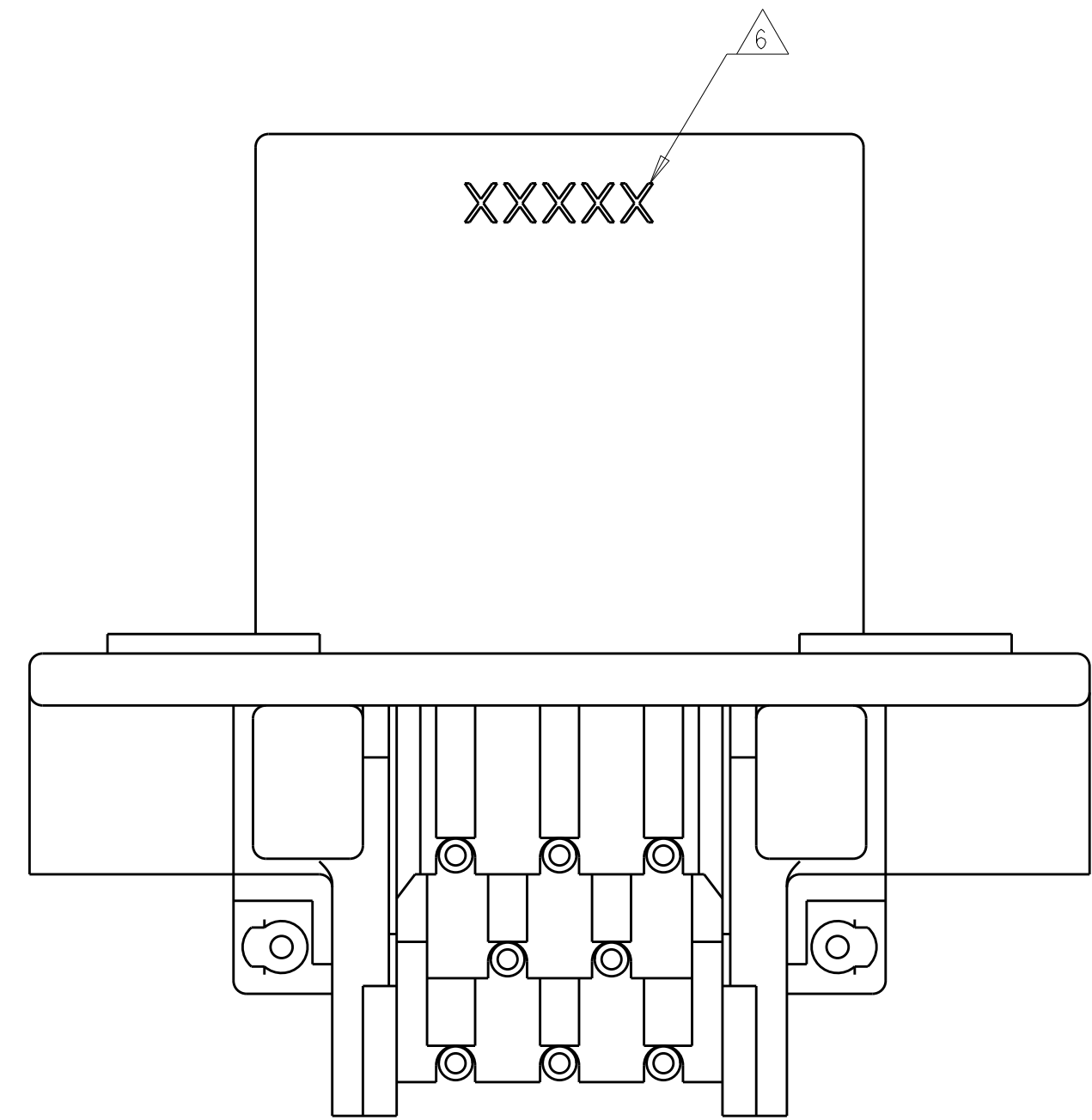


REVISIONS				
P.	LTN	DESCRIPTION	DATE	APVD
F4		REVISED PER ECO-13-020268	31DEC2013	DD DS
F5		REVISED PER ECO-14-019367	20JAN2015	DD DS
F6		REVISED PER ECO-15-003872	25MAR2015	DD DS
F7		REVISED PER ECO-16-003526	09MAR2016	JM DS



- 1 ACCEPTS #3 SELF TAPPING THREAD FORMING SCREWS OR METRIC EQUIVALENT. DRIVE TO 0.6-0.8 N-m.
- 2 HOUSING COLORS ARE MECHANICALLY KEYS TO MATE ONLY WITH IDENTICALLY COLORED PLUG ASSEMBLIES.
- 3 REFER TO PAGE 2 FOR 776279-6 ASSEMBLY DIMENSIONS, RECOMMENDED MOUNTING HOLE AND P.C. BOARD LAYOUT ARE THE SAME FOR ALL DASH NUMBERS.
- 4. HEADER MATES TO PLUG ASSEMBLY 776286 WHICH USES REELED TERMINAL 770520 AND LOOSE PIECE TERMINAL 770854.
- 5 MATERIALS: GASKET - SILICONE
 HEADER HOUSING - GLASS FILLED PBT
 PINS - TIN OR GOLD PLATED BRASS
- 6 DATE CODE TO BE BRANDED IN THIS LOCATION PER TE SPEC 102-60. USE 5 DIGIT CODE: FIRST 2 DIGITS = YEAR, SECOND 2 DIGITS = WEEK, LAST DIGIT = DAY



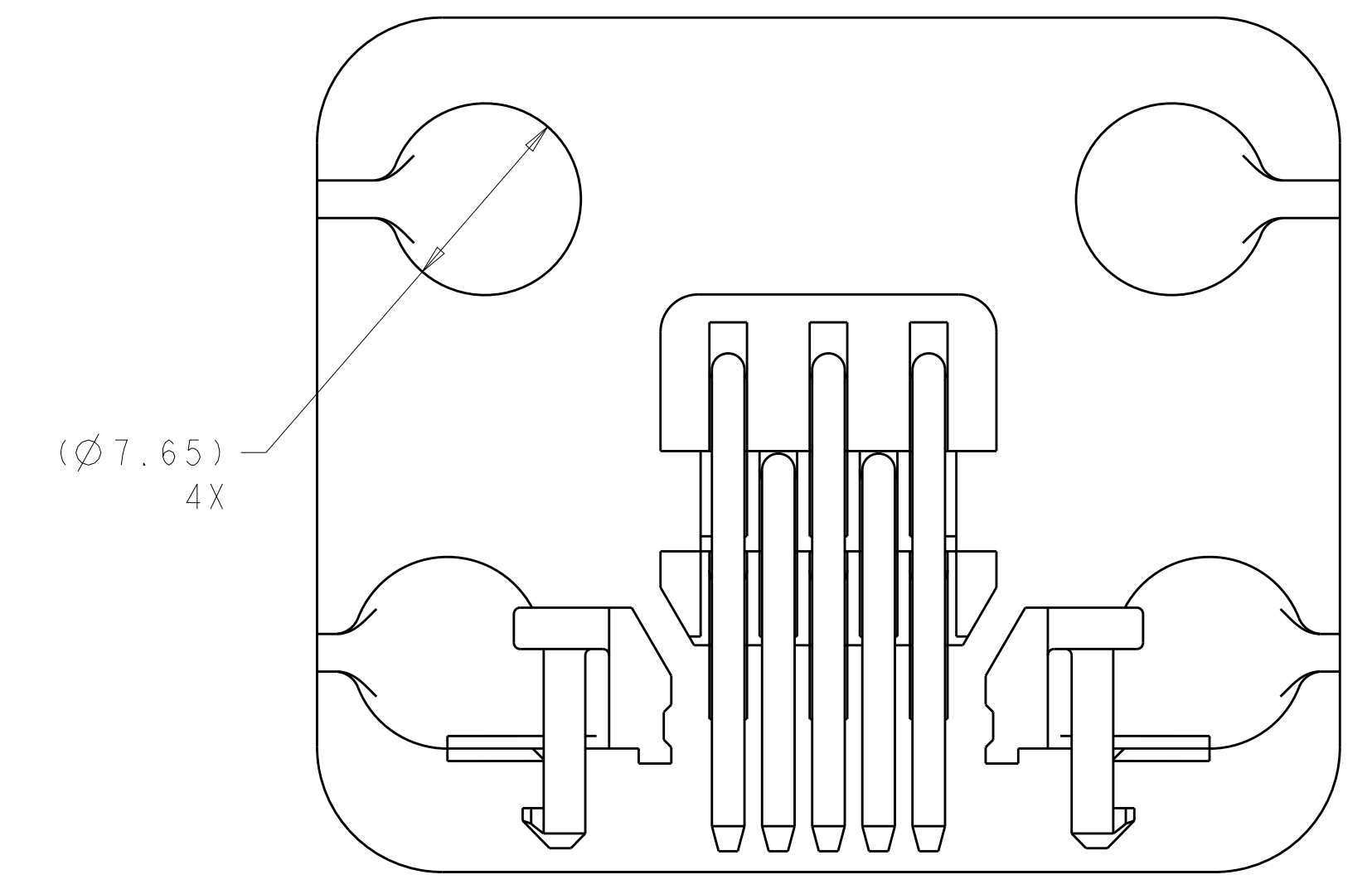
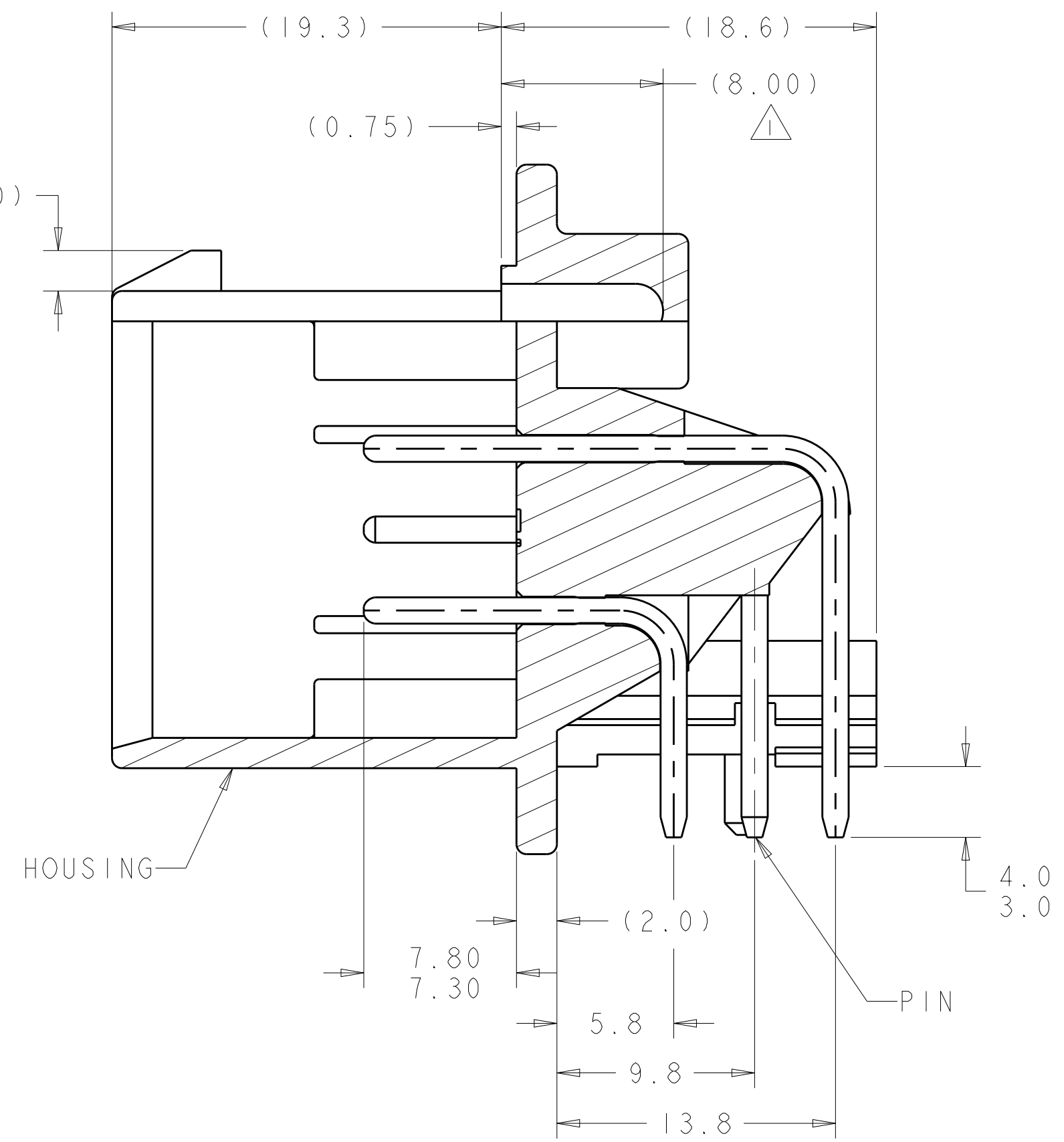
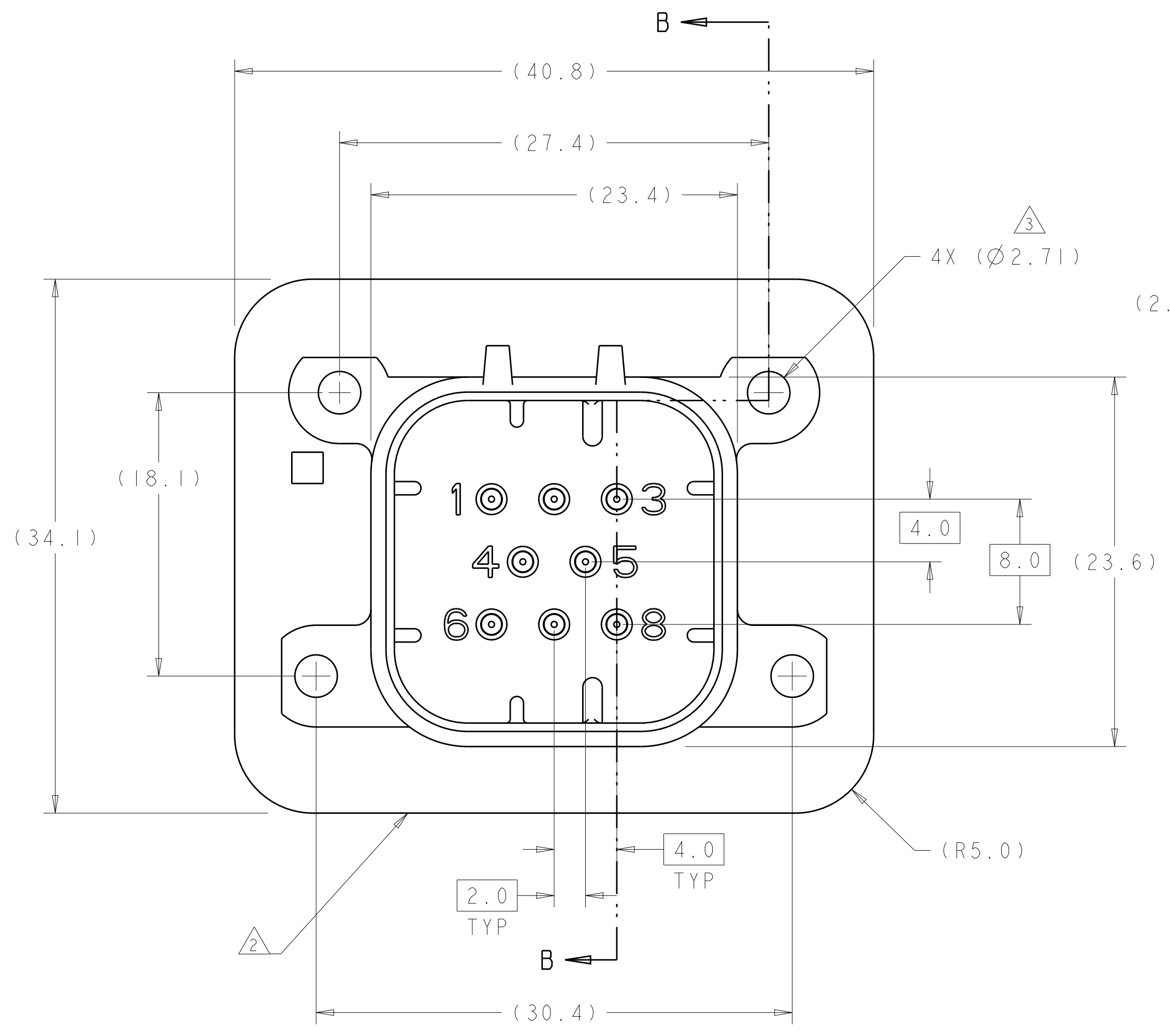
RECOMMENDED P.C. BOARD LAYOUT FOR 1.57 THICK P.C. BOARD

NATURAL	DURAGOLD PLATED	1-776279-2
BLACK	DURAGOLD PLATED	1-776279-1
BLACK	TIN PLATED	3 776279-6
NATURAL	TIN PLATED	776279-2
BLACK	TIN PLATED	776279-1
HEADER HOUSING COLOR	PIN	PART NUMBER

THIS DRAWING IS A CONTROLLED DOCUMENT.		OWN J. MARKEY 29FEB08	TE Connectivity NAME: HEADER ASSEMBLY, 8 POSITION, RIGHT ANGLE, AMPSEAL PRODUCT SPEC: 108-1329 APPLICATION SPEC: 114-16016 SIZE: A1 CAGE CODE: 00779 DRAWING NO: 776279 RESTRICTED TO: - WEIGHT: - CUSTOMER DRAWING: -
DIMENSIONS: mm		CHK J. MARKEY 29FEB08	
TOLERANCES UNLESS OTHERWISE SPECIFIED:		APVD J. MARKEY 29FEB08	
0 PLC ± 1 PLC ±0.2 2 PLC ±0.13 3 PLC ± 4 PLC ± ANGLES ±°		SCALE: 4:1 SHEET: 1 OF 3 REV: F7	

REVISIONS				
P.	LTN	DESCRIPTION	DATE	APVD
-	-	SEE SHEET 1	-	-

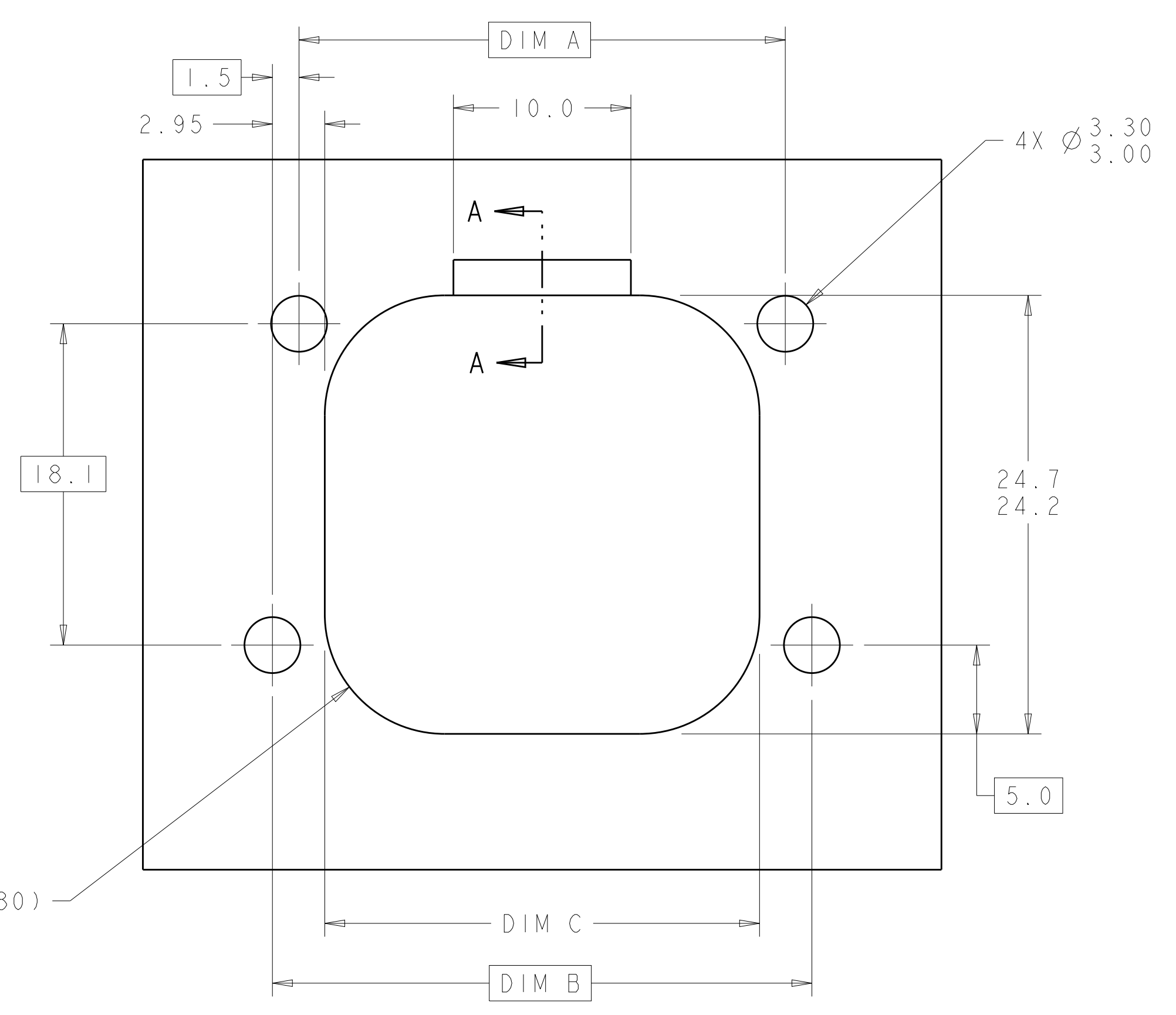
- 1 ACCEPTS #4-20 SELF TAPPING THREAD FORMING TWIN HELIX PLASTITE SCREW (SINGLE HELIX OPTIMAL)
- 2 HOUSING COLORS ARE MECHANICALLY KEYPED TO MATE ONLY WITH IDENTICALLY COLORED PLUG ASSEMBLIES.
- 3 0° 30' MAX DRAFT FROM TOP OF HOLE (1° INCLUDED ANGLE)



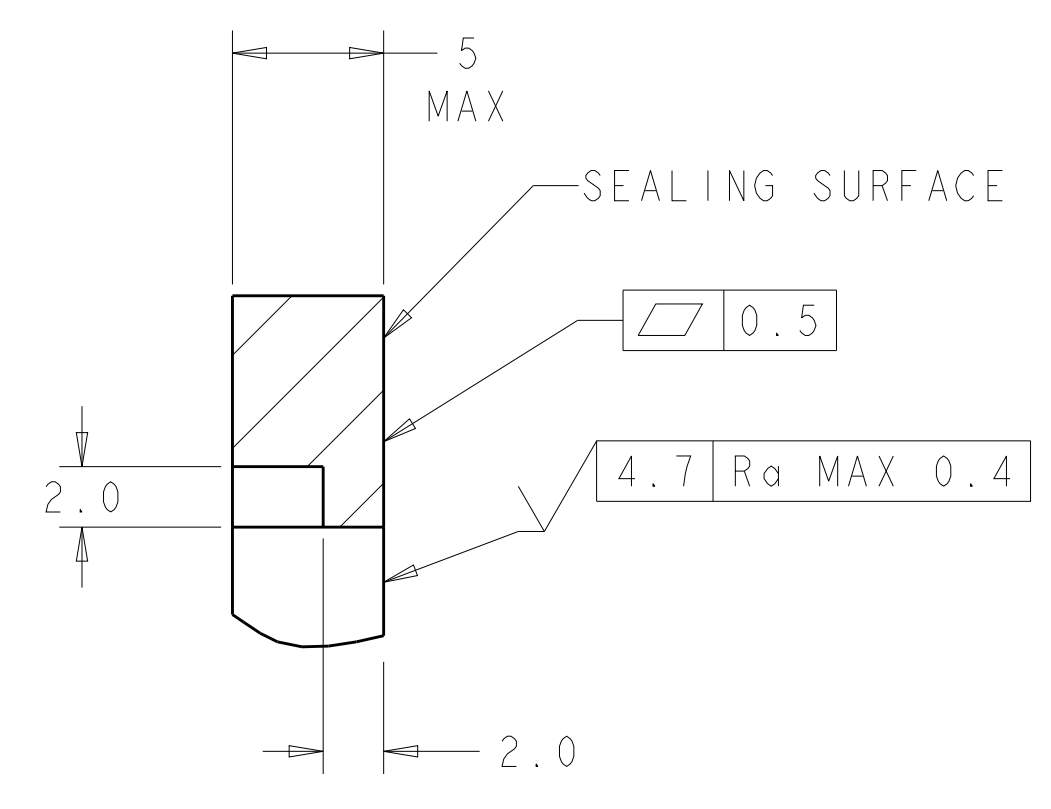
ASSEMBLY DIMENSIONS APPLY TO 776279-6 ONLY
 (HOLE LAYOUT AND P.C. BOARD LAYOUT SHOWN APPLY TO ALL DASH NUMBERS)

BLACK	TIN PLATED	776279-6
HEADER HOUSING COLOR	PIN	PART NUMBER
TE TE Connectivity		
DIMENSIONS: mm TOLERANCES UNLESS OTHERWISE SPECIFIED: 0 PLC ±0.2 1 PLC ±0.13 2 PLC ±0.13 3 PLC ±0.13 4 PLC ±0.13 ANGLES ±0.5° FINISH		DWN J. MARKEY 29FEB08 CHK J. MARKEY 29FEB08 APVD J. MARKEY 29FEB08 PRODUCT SPEC 108-1329 APPLICATION SPEC 114-16016 WEIGHT CUSTOMER DRAWING
NAME: HEADER ASSEMBLY, 8 POSITION, RIGHT ANGLE, AMPSEAL SIZE: A100779 CAGE CODE: C=776279 SCALE: 4:1 SHEET: 2 OF 3 REV: F7		RESTRICTED TO

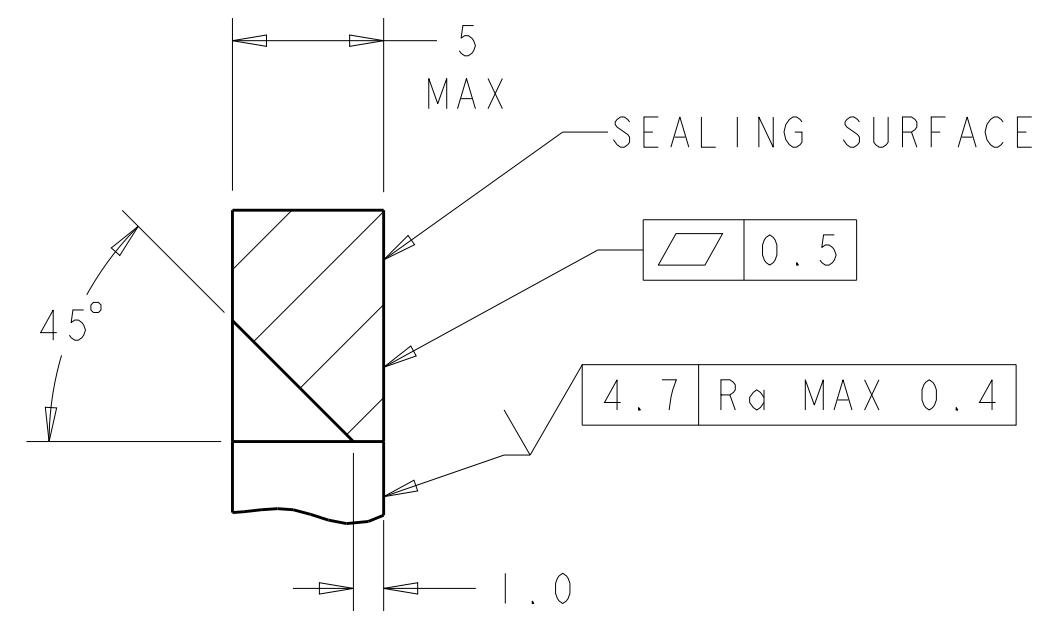
REVISIONS				
P.	LTN	DESCRIPTION	DATE	APVD
-	-	SEE SHEET 1	-	-



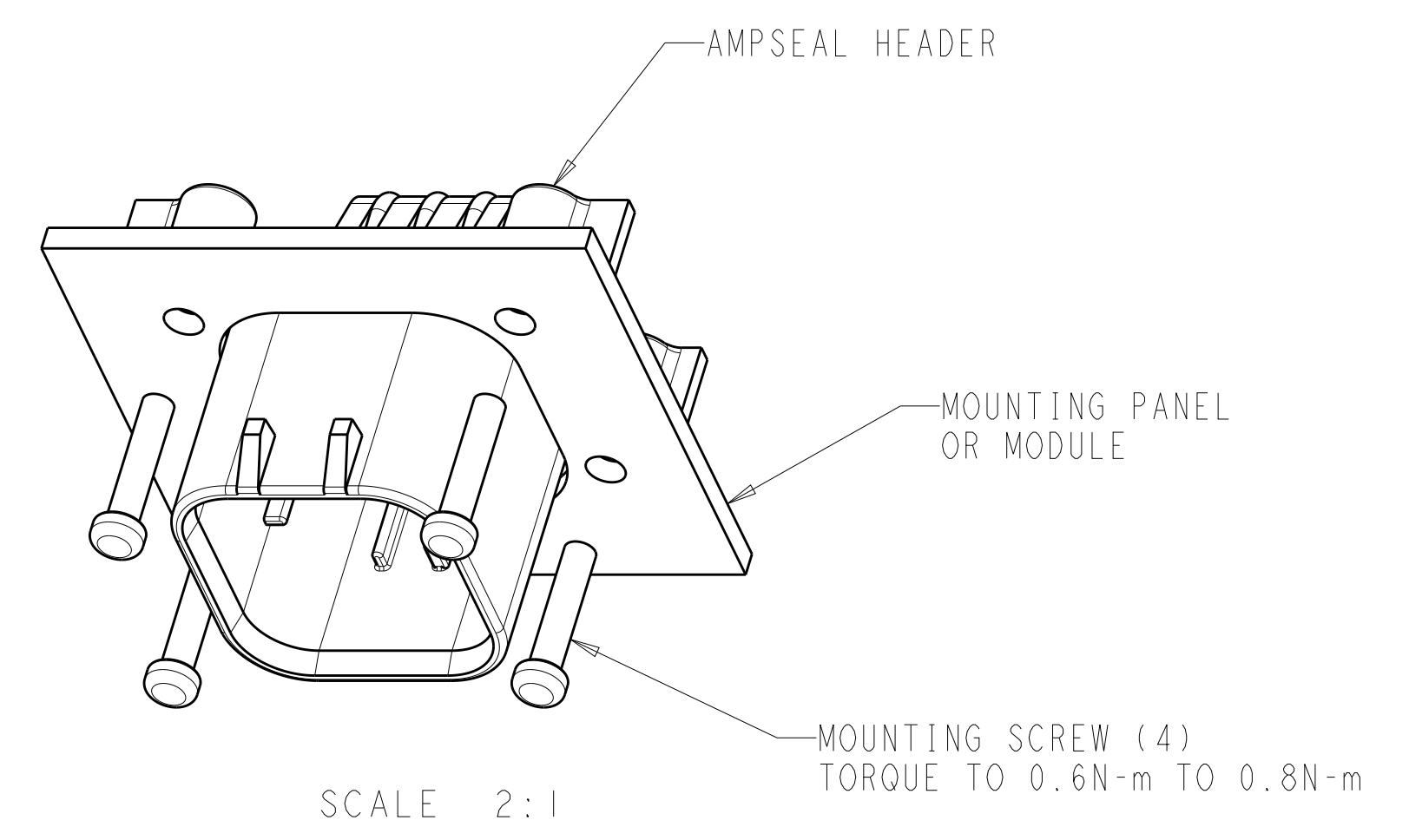
RECOMMENDED MOUNTING HOLE LAYOUT FOR 5.0 MAX THICK PANEL



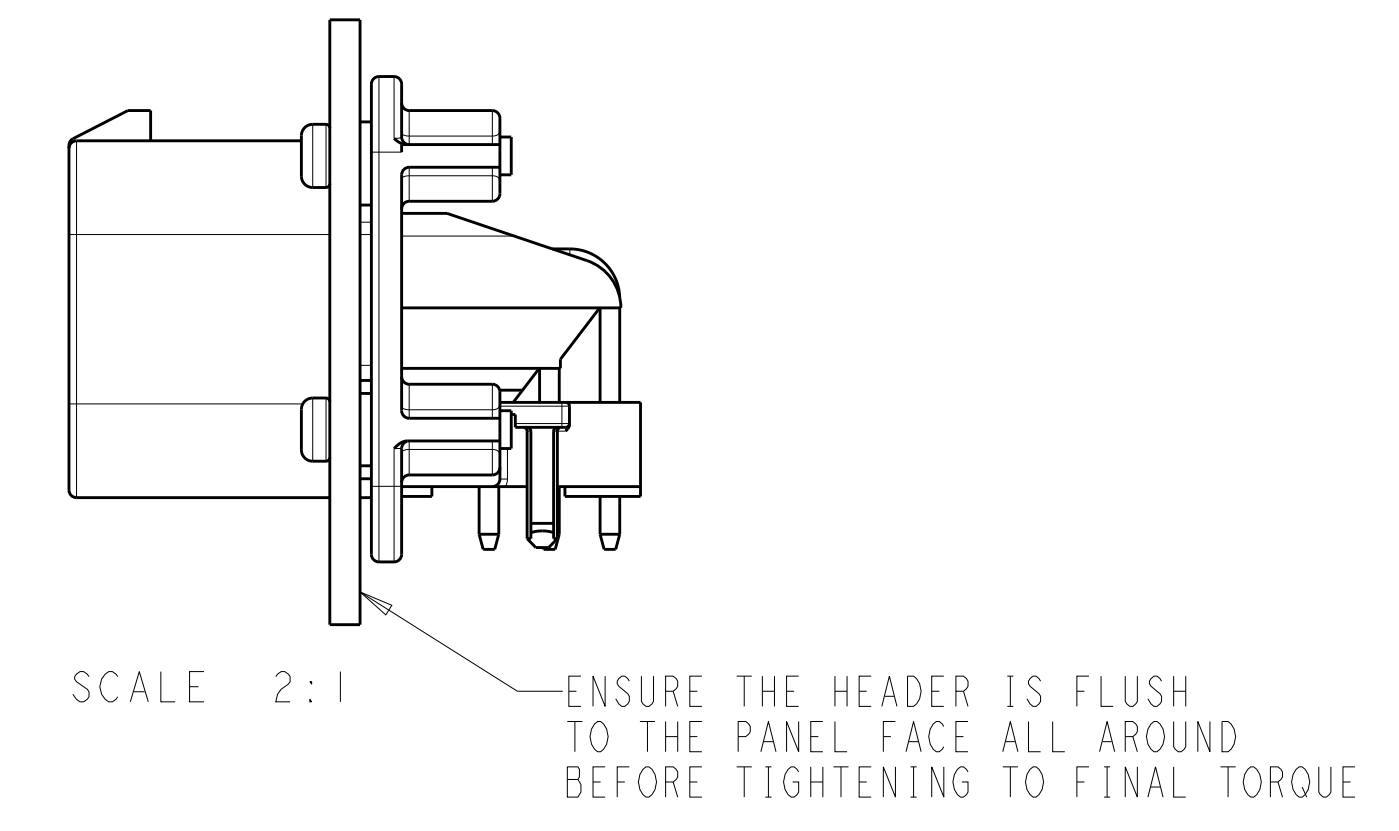
SECTION A-A
OPTIONAL CONSTRUCTION IF PANEL THICKNESS IS GREATER THEN 2.0
SCALE 4:1



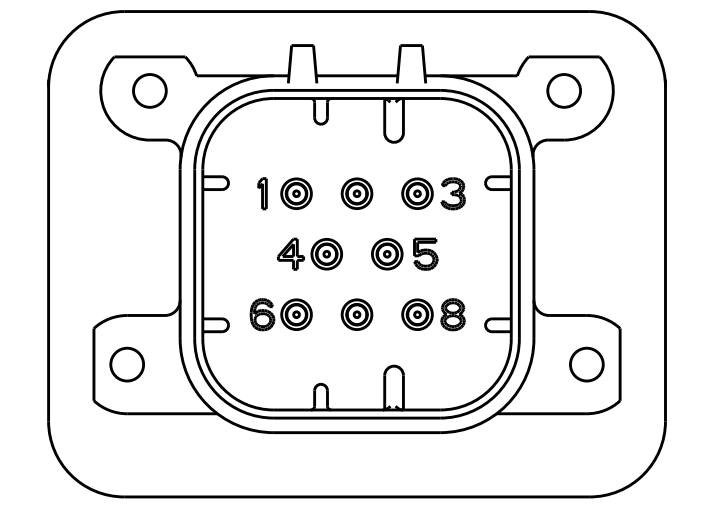
SECTION A-A
OPTIONAL CONSTRUCTION IF PANEL THICKNESS IS GREATER THEN 2.0
SCALE 4:1



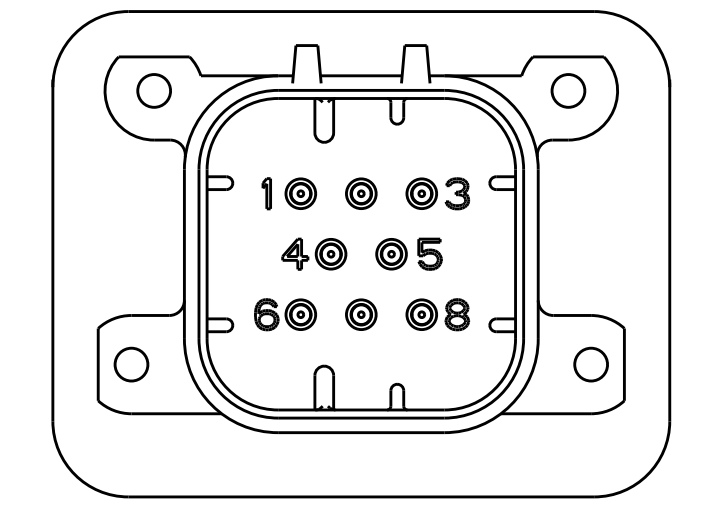
SCALE 2:1



SCALE 2:1



776279-1, 776279-6 & 1-776279-1
KEY LOCATION
SCALE 2:1



776279-2 & 1-776279-2
KEY LOCATION
SCALE 2:1

THIS DRAWING IS A CONTROLLED DOCUMENT.		DWN J. MARKEY 29FEB08 CHG J. MARKEY 29FEB08 APVD J. MARKEY 29FEB08	TE Connectivity
DIMENSIONS: mm 	TOLERANCES UNLESS OTHERWISE SPECIFIED: 0 PLC ± 1 PLC ±0.2 2 PLC ±0.13 3 PLC ± 4 PLC ± ANGLES ±°	NAME PRODUCT SPEC 108-1329 APPLICATION SPEC 114-16016 WEIGHT CUSTOMER DRAWING	
MATERIAL	FINISH	SIZE CAGE CODE DRAWING NO A100779C=776279	RESTRICTED TO SCALE 4:1 SHEET 3 OF 3 REV F7